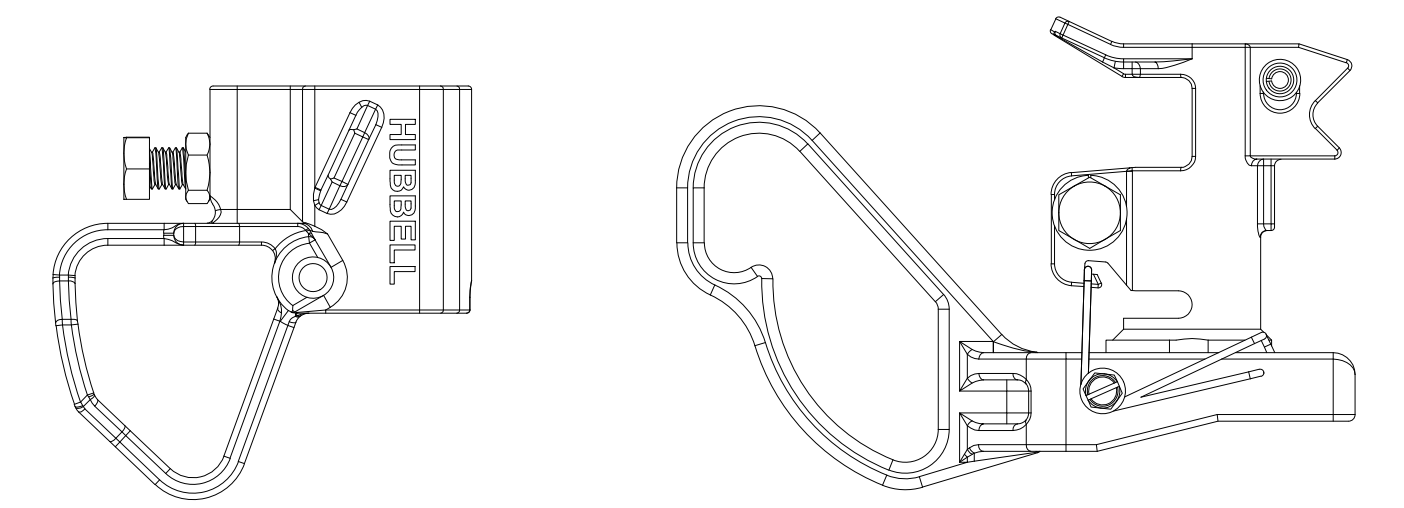


CATALOG NUMBERING SYSTEM

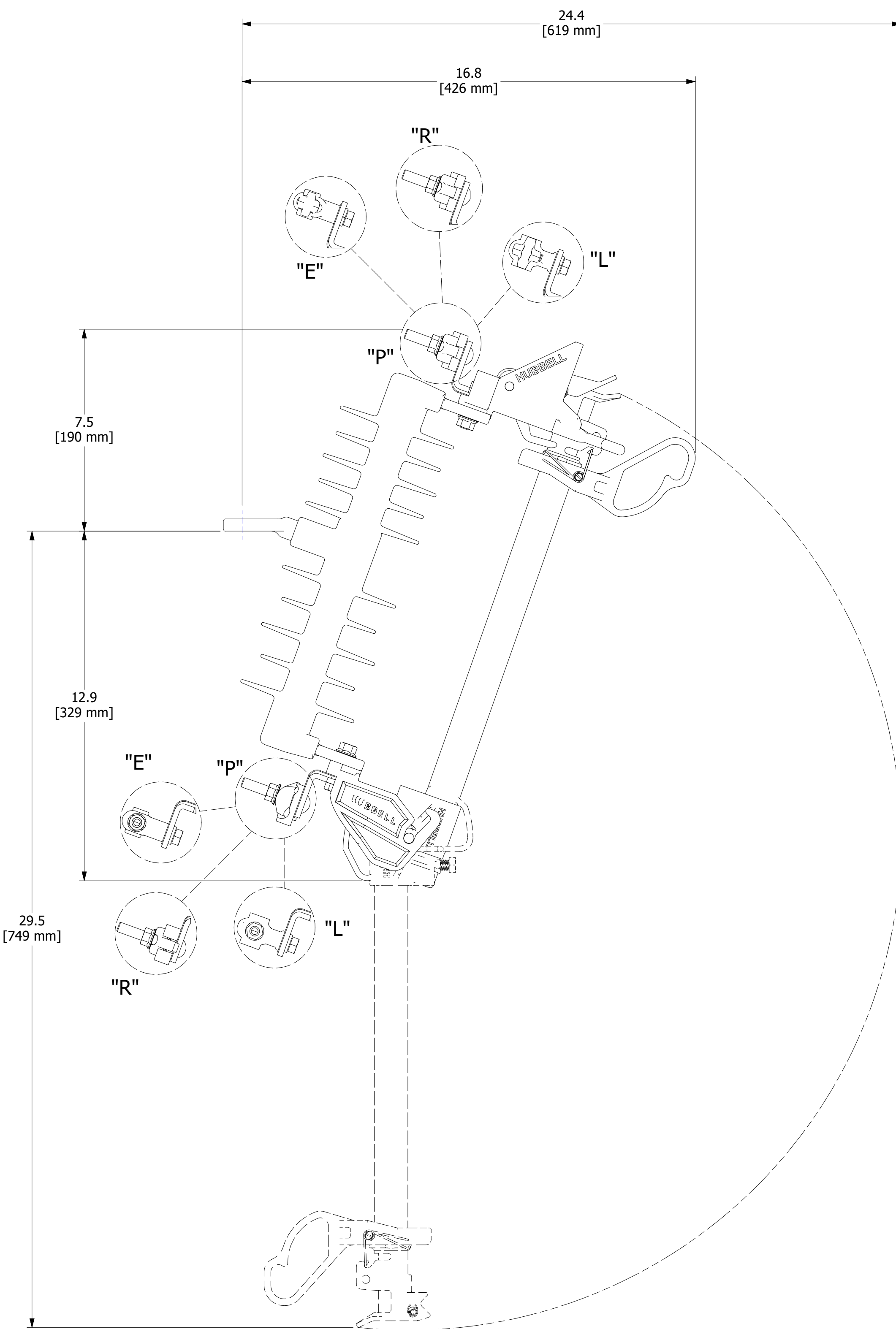
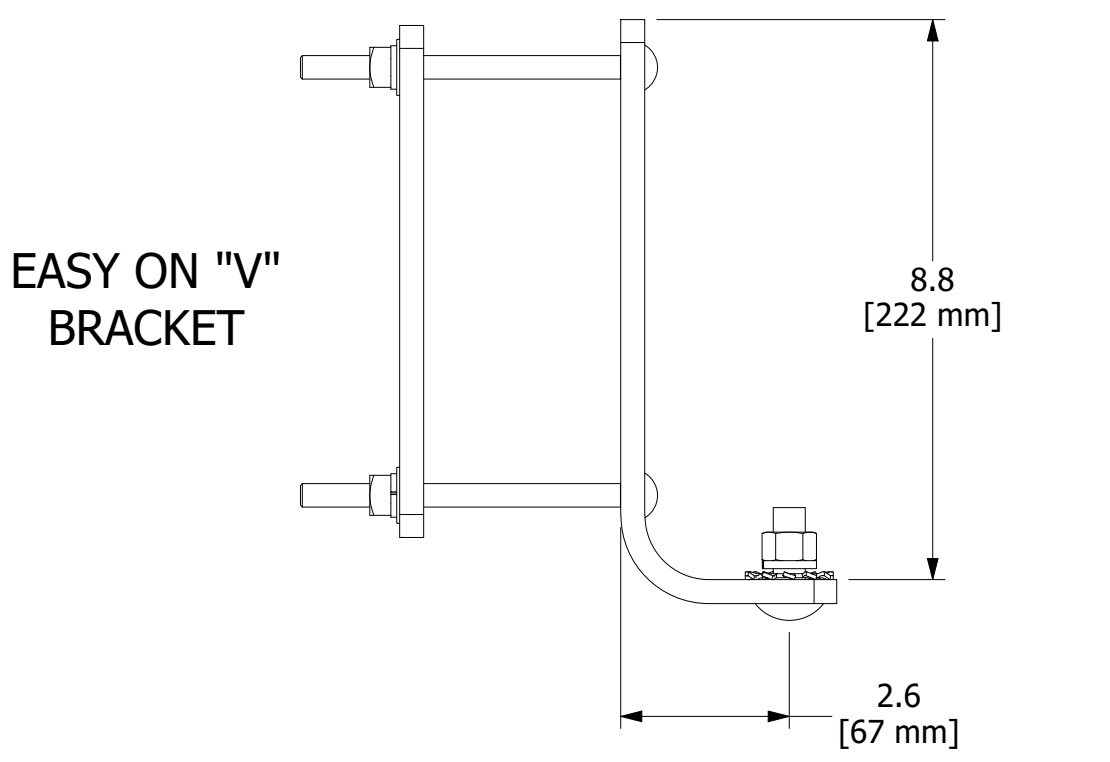
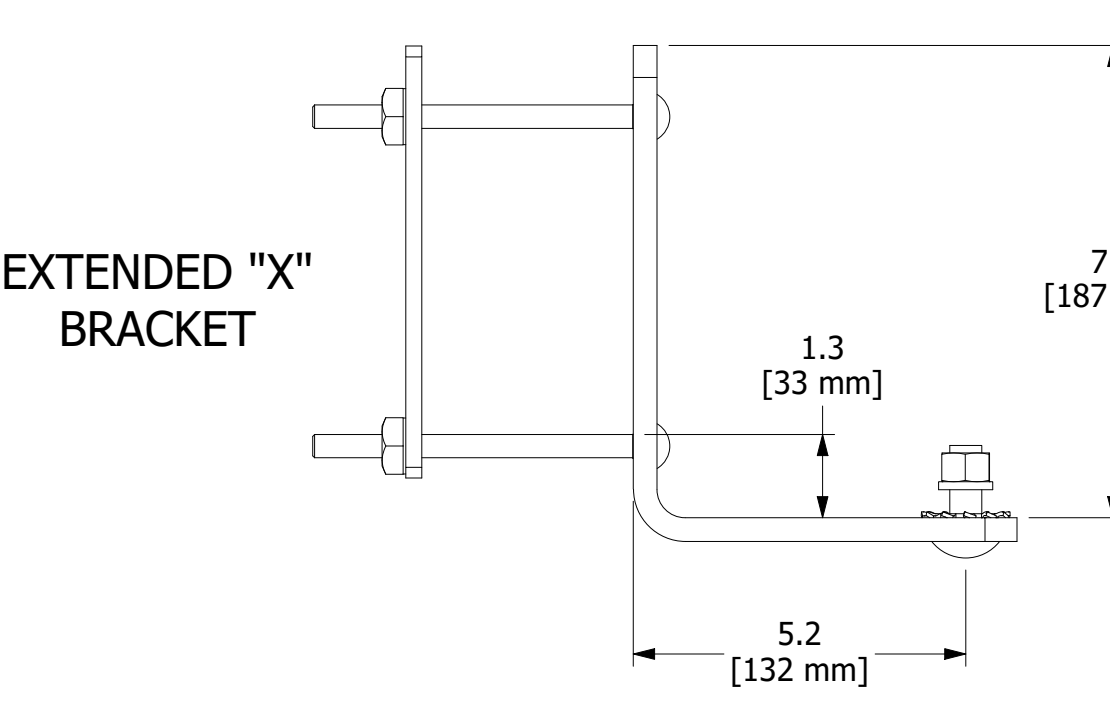
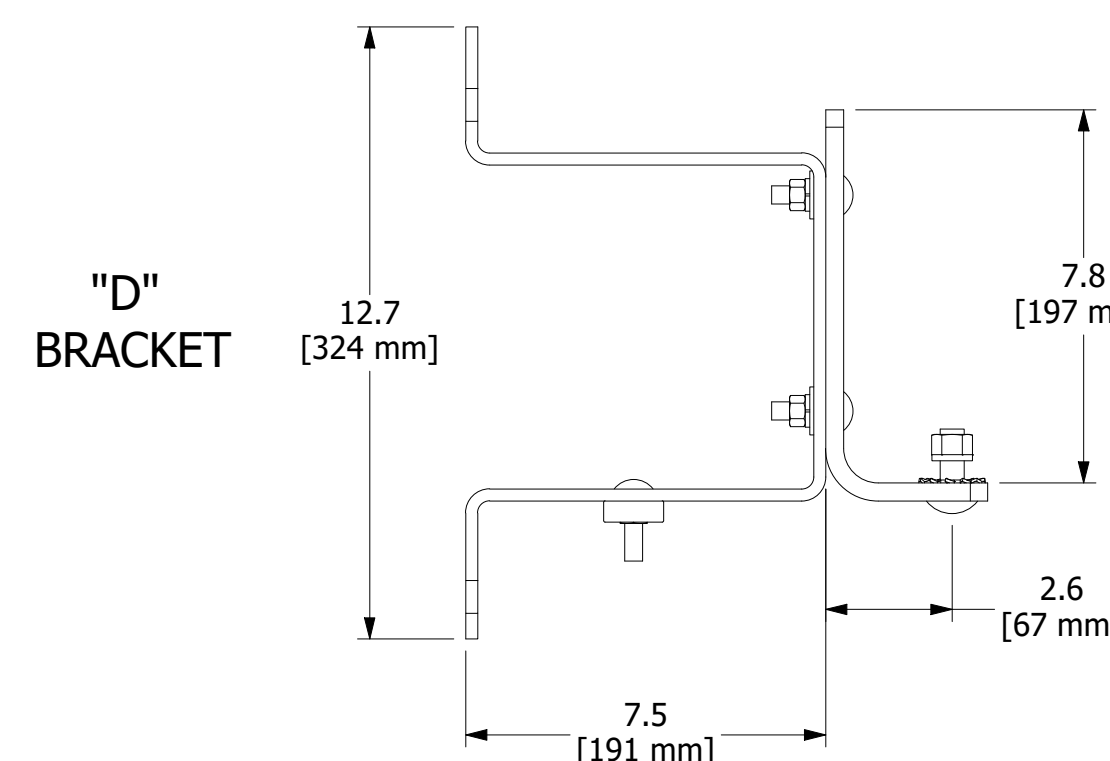
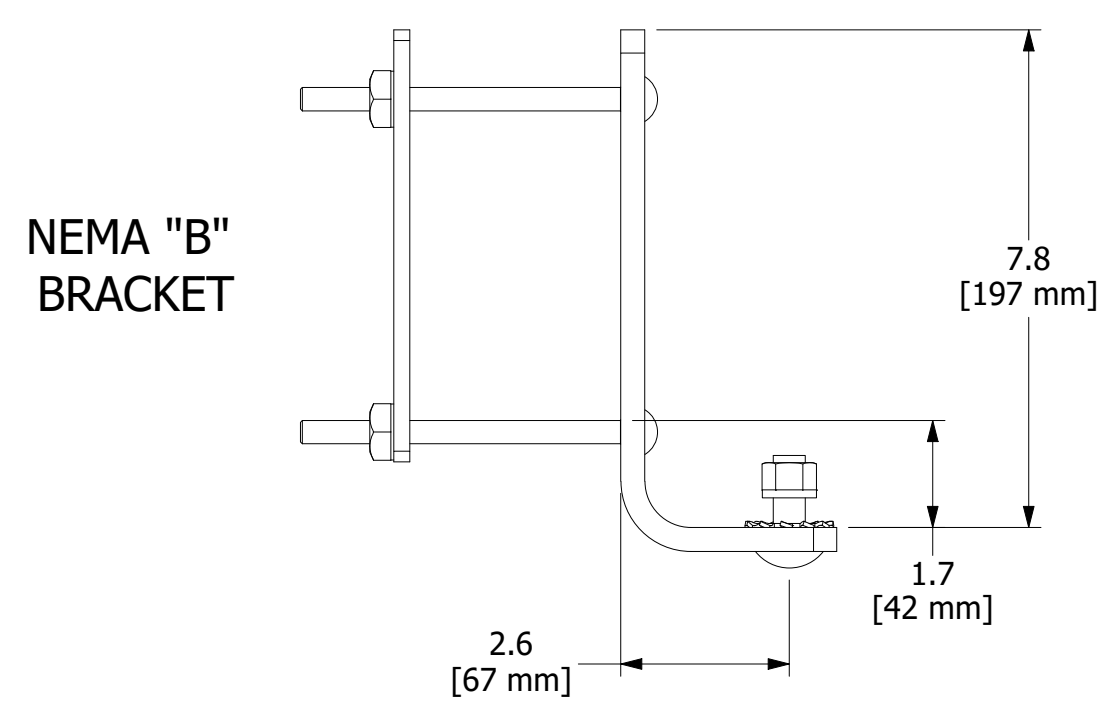
| TO BUILD YOUR HUBBELL POWER FUSE MOUNTING ASSEMBLY, ADD FEATURES FROM THE MATRIX TO THIS BASE NUMBER | CP716 | 1 | 2 | 3 |
|--|-------|---|---|---|
| 15KV, 150KV BIL VOLTAGE RATING | | 1 | | |
| POWER FUSE END FITTINGS ONLY (NO MOUNTING) | | T | | |
| LEAVE BLANK POSITION 2, IF OPTION "T" SELECTED IN POSITION 1 | | | | |
| PARALLEL GROOVE CLAMPS (NO. 6 SOLID - 4/0 ACSR OR 250 MCM) | | | P | |
| SMALL EYEBOLT (NO. 8 SOLID TO 2/0) | | | E | |
| LARGE EYEBOLT (NO. 8 SOLID - 250 MCM) | | | L | |
| ROTATED BOTTOM PARALLEL GROOVE CLAMP (NO. 6 SOLID - 4/0 ACSR OR 250 MCM) | | | R | |
| LEAVE BLANK POSITION 3, IF OPTION "T" SELECTED IN POSITION 1 | | | | |
| NEMA HEAVY DUTY "B" BRACKET FOR CROSSARM (1 1/2" BOLT) | | | | B |
| NEMA HEAVY DUTY "B" BRACKET W/6" FOR CROSSARM (1 1/2" BOLT) | | | | C |
| EXTENDED NEMA BRACKET(HORIZONTAL SECTION IS 2 5/8" LONGER THAN TYPE B BRACKET) | | | | X |
| D-SHAPE BRACKET (POLE) | | | | D |
| EASY-ON NEMA "B" BRACKET FOR CROSSARM (1 1/2" BOLT) | | | | V |



POWER FUSE END FITTINGS
PART NUMBER: CP716T (END FITTINGS ONLY)

PRODUCT SPECIFICATIONS :

- VOLTAGE CLASS : 15 KV
- MAX CURRENT RATING : 200 A
- POWER FREQUENCY DRY WITHSTAND : 70 KV
- POWER FREQUENCY WET WITHSTAND : 60 KV
- BASIC INSULATION LEVEL : 150 KV
- LEAKAGE DISTANCE : 23 IN (584 MM)
- WEIGHT : 12 LBS (5.5 KG)



| A | REV | EC | CHANGE DESCRIPTION | DATE | CHG BY | ENG |
|---|-----|----|--------------------|------|--------|-----|
| | | | REVISIONS | | | |

PROPRIETARY & CONFIDENTIAL
THIS DRAWING AND ITS CONTENTS ARE CONFIDENTIAL AND THE EXCLUSIVE PROPERTY OF HUBBELL POWER SYSTEMS, INC. NO PUBLICATION, DISTRIBUTION OR COPIES MAY BE MADE WITHOUT THE WRITTEN CONSENT OF HUBBELL POWER SYSTEMS, INC. HUBBELL POWER SYSTEMS, INC. UNPUBLISHED - ALL RIGHTS RESERVED UNDER THE COPYRIGHT LAWS.
THIS SYMBOL DENOTES () SYMBOLS USED : NA
KEY CHARACTERISTICS () SYMBOLS NOT USED : NA
UNLESS OTHERWISE SPECIFIED, ALL DIMENSIONS ARE IN INCHES.
CHANCE TOLERANCE BLOCK
DECIMAL : .X = ± .060 FRAC ± 1/16 ANGLES ± 2°
.XX = ± .030 ADD DRAFT (UNLESS NOTED)
XXX = ± .005 CASTING 3° FORGINGS 2°

| | | | |
|------------------------------------|----------------------|---|---|
| HUBBELL POWER SYSTEMS, Inc. | | TITLE MOUNTING, POWER FUSE 15KV | |
| SIZE D 1:3 | DWG NO. PSSAP7161 | CAT / PART / ASSY NO. SEE CHART | REV A |
| SCALE 1:3 | VOLUME NA | WEIGHT NA | DRN BY DATE 5/17/2024 SHEET 1 OF 2 |